



صنایع پمپ سازی

# نوید سهند

گروه صنایع پمپ سازی ایران

## NAVID SAHAND

سازنده انواع پمپ های صنایع آب، نفت، انرژی و سفارشی

Manufacturer of water, Oil, Energy & Special Pumps



## KWP Series

Non-clogging centrifugal pump



دفتر فروش تبریز: خیابان میرداماد، خیابان بینش،

هشت متری پنجم، پلاک ۱۰، طبقه همکف

کد پستی: ۵۱۶۶۹۱۵۸۱۴

تلفن: ۳۳۸۲۳۷۲۱ - ۳۳۸۲۸۰۱۴ - ۳۳۸۲۸۰۱۳

فاکس: ۳۳۸۲۲۰۵۳

دفتر فروش تهران: خیابان ولیعصر، بلوار میرداماد،

برج آرین، طبقه چهارم شرقی، شماره ۱۵

تلفن: ۰۲۱-۲۲۲۵۸۲۸۵-۷ فاکس: ۰۲۱-۲۲۲۵۸۲۸۸

کارخانه: ۰۴۱-۳۴۳۲۸۲۱۵-۸

Tabriz Office: No10, 5th Alley, Binesh St.,  
Mirdamad St., Tabriz-Iran

Po.code: 5166915814

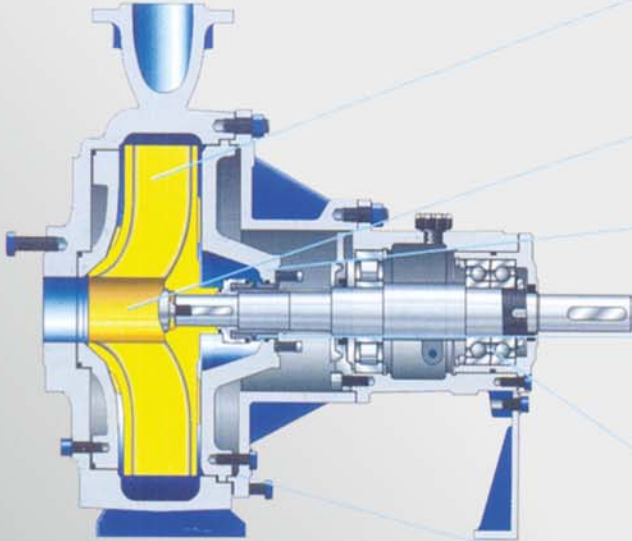
Tel.: +98 41 -33828014 -33828013-33823721

Fax: +98 41 33822053

Tehran Office: #15, 4 Floor, Arian Towel,  
Mirdamad Blvd, Valiasr Ave. Tehran,Iran

Tel.: +98 21 22258285-7 Fax: +98 21 22258288

Factory: +98 41 34328215-8



- 1 Adaptable**  
Flexible selection of channel-type, free-flow and open impellers for handling solids-laden and gaseous fluids
- 2 Low-wear design**  
Front vanes and diagonal gap reduce wear
- 3 Service-friendly** ———  
Pump casing with replaceable suction-side wear plate
- 4 Dependable**  
Mechanical seal installed in conical seal chamber (A-type cover) for improved internal circulation
- 5 Reliable**  
Reinforced, adjustable bearing bracket
- 6 Cost-efficient**  
Easy maintenance due to back pull-out design. Modular design system reduces spare parts stocks.

## Fields of Application

For handling all kinds of pulps not liable to plait as well as stock suspensions up to 5 % bone dry. This pump is used in the chemical and process engineering industries, paper and pulp industries sugar, food and beverages industries, in flue gas desulphurisation and coal upgrading and in the treatment of industrial effluents.

## Special Features

- Reinforced, axially adjustable bearing assembly on all pumps
- Shaft seal: mechanical seal integrated into the casing cover or gland packing
- Even cast iron pumps are supplied with pump internals (impeller and wear plate) made of wear-resistant ERN (nickel cast iron)

## Design

Horizontal, radially split volute casing pump in back pull-out design, with impeller adapted to meet application requirements, single-flow, single stage.

### Technical Data:

Pump size	DN 40 to 900
Flow rate	up to 15.000 m <sup>3</sup> /h
Discharge head	up to 100 m
Fluid temperature	-40°C to + 120 °C
Pump discharge pressure	up to 35 bar

1) Higher values available on request

Impeller variants ▶



Type F



Type K

